

# DENSO

Member of the TOYOTA Group



Proven Innovation

Performance. Service. Compatibility.



## BHT-400 Series

Taking mobility to the highest level

# BHT-400 Series – The mobile data manager designed for the retail supply chain

The new barcode terminal series raises the bar in terms of mobility, capability and user-friendliness. More specifically, the BHT 400 is available as a batch- or radio-terminal for Wireless LAN (IEEE802.11 b/g). The devices may be connected to a PC, portable printer, modem or access point via Bluetooth Version 1.2. The high speed processor (520 MHz) guarantees fast processing. Thanks to the latest operating system platform (Windows CE 5.0), the application software can be customized to individual industry needs.

## Scanning

### High scanning performance

- Optimal detection (even poorly legible barcodes)
- Equipped with advanced CCD scanning system

## Transmission

### Optional

- Bluetooth Version 1.2
- WLAN-on board (IEEE 802.11 b/g)
- GPRS

## Display

### Large display

- Data easy to read regardless of the lighting conditions
- QVGA-Display (240 x 320 pixels)
- 65,000 colors (TFT) with touch screen



## Performance and quality

### Functions for greater flexibility

- In addition to the standard numeric keypad, central and peripheral trigger buttons start the scanning process
- Comfortable for right- and left-handers

### High memory capacity for safe data acquisition

- Standard 64 MB RAM/64 MB ROM

### Latest operating system platform

- Windows CE 5.0
- Extensive software package makes it easy to develop new applications

3 Year Warranty

# BHT-400



User-friendly thanks to ergonomic design and generously-sized keyboard



### Signals for reliable scan acknowledgment

In addition to LED (blue/red), the device has an integrated beeper and vibration signal.

This ensures that successful scanning operations will be reliably acknowledged even in a loud environment or outdoors.

### CCD technology (Charged Coupled Device)

- No moving parts
- Exceptionally robust interior

### Long operating hours

- Up to 15 hours

### Light, compact and robust casing

- Impact resistant
- Water resistant
- Soil resistant
- IP54-rated
- Weighs only 360 grams
- Compact: Approx. 224 x 78 x 53 mm

## Technical data

	BHT-420B-CE	BHT-420BB-CE	BHT-420BW-CE	BHT-420BWB-CE
<b>Controller</b>				
CPU	PXA 270 (520 Mhz)			
Memory	RAM: 64 MB Flash ROM: 64 MB User area 32 MB			
<b>Display</b>				
Resolution	240 x 320 (QVGA)			
Display Device	Liquid crystal dot matrix			
Back Light	LED			
<b>Scanner</b>				
System	Advanced CCD Scanning			
Scanning- Area	TBA			
Scannable Codes	EAN -13/-8, UPC/EAN (with add-on codes), CODABAR (NW-7), CODE 93, Interleaved 2 of 5, CODE 128 (EAN -128), STF, MSI			
Resolution	TBA			
Scanning Confirmation	2-color LED (red and blue), buzzer, vibrator			
<b>Keypad</b>				
Number of Keys	31 keys (numeric keyboard) + 2 Trigger keys			
Card Slot	Compact Falsh Slot			
<b>Communications</b>				
Infrared I/F	Standard	Infra-red (IrDA 1.2 compliant)		
	Speed	115.2 kbps		
	Range	Approx. 0.15 m		
Wireless I/F	Standard	-	-	IEEE802. 11b/g
	Frequency	-	-	2.4 Ghz
	Range	-	-	TBA
	Modulation	-	-	OFDM, DSS
	Speed	-	-	54 Mbps Max
	Security	-	-	WPA
				EAP-TLS, PEAP
Bluetooth	-	Bluetooth Ver. 1.2 Compliant Class 2	-	Bluetooth Ver. 1.2 Compliant Class 2
Cable I/F	RS 232C (115.2 Kbps Max), USB 1.1 (Mini-B)			
<b>Power Supply</b>				
Main Battery	Litium-ion battery cartridge			
<b>Enviroment Requirement</b>				
Operating Temp.	-10°C to 50°C			
Water/Dust proof	IP 54			
Shock Resistance	1.2 m (30 times on concrete floor)			
Weight	Approx. 345 g	TBA	Approx. 360 g	TBA



## Notice

Read the user manual carefully before operating the device. Technical data may change at any time and without prior notice.

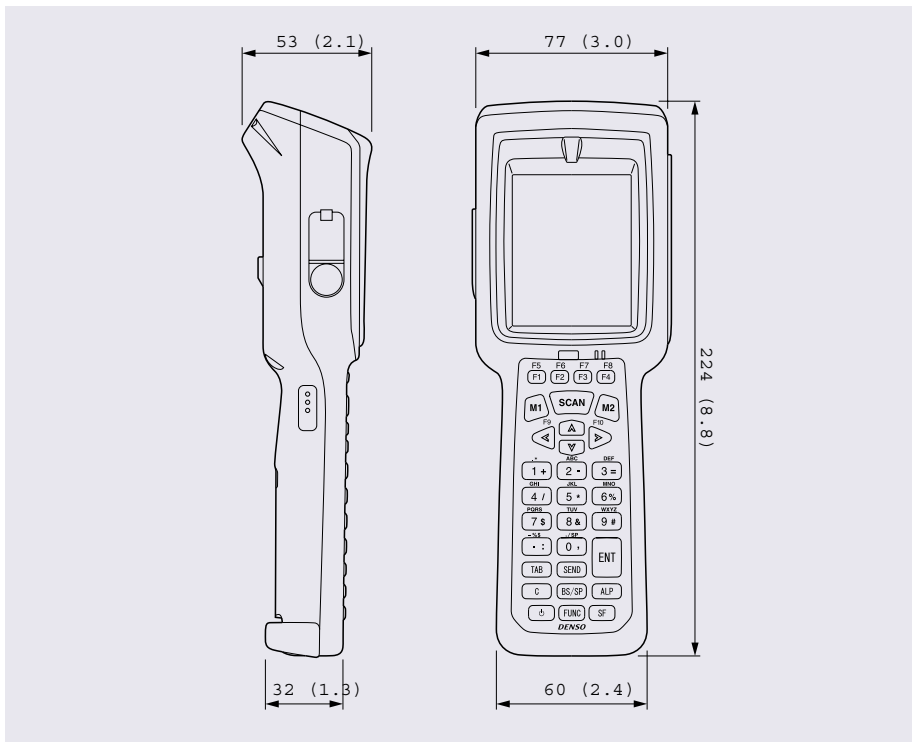
Status of data: August 2005.

### Accessories

- Stylus
- Battery
- Hand strap

### Optional accessories (not included in scope of delivery)

- Communication unit
  - RS232
  - USB
  - LAN
- Charging station



Company Stamp