

# 8100 Series Light Weight Mobile Solution

Compact  
Low Power  
Compact  
Low Power  
Compact  
Low Power



■ Battery Charger



■ Rechargeable Battery Pack

■ Base Station



■ Base Mounting Bracket



■ 350 TCP/IP Gateway



■ USB VirtualCom Adapter

- Programmable in: BASIC, C & Application Generator
- 256KB data memory + 1MB program memory
- Ideal for Light Duty Inventory Application
- 4~6 Channel auto-switching architecture
- 16 bases and up to 99 portable terminals in one system
- Better line-of-sight, up to 1,000 Mtrs



# 8100 Series Light Weight Mobile Solution

## Specifications

### RF Terminal

Model 8110 (433 MHz)	Model 8150 (2.4 GHz)
<ul style="list-style-type: none"> <li>Frequency: 433.12~434.62 MHz</li> <li>Modulation: FSK</li> <li>Data Rate: 9600 bps</li> <li>Channels: 4</li> <li>Output Power: 10mW</li> <li>Coverage: 200M line-of-sight</li> </ul>	<ul style="list-style-type: none"> <li>Frequency: 2.4000~2.4835 GHz</li> <li>Modulation: Direct FM</li> <li>Data Rate: 19200 bps</li> <li>Programmable Channels: 6</li> <li>Output Power: 100mW</li> <li>Coverage: 1,000M line-of-sight</li> </ul>

### BASE Station

Model 3510 (433 MHz)	Model 3550 (2.4 GHz)
<ul style="list-style-type: none"> <li>Frequency: 433.12~434.62 MHz</li> <li>Interface: RS232</li> <li>Baud Rate: 115,200 bps</li> <li>Base to Base: RS485</li> <li>Maximum Bases/System: 16</li> <li>Maximum Terminals/Base: 15</li> <li>Maximum Terminals/System: 45</li> <li>Output Power: 10mW</li> <li>Coverage: 200M line-of-sight</li> </ul>	<ul style="list-style-type: none"> <li>Frequency: 2.4000~2.4835 GHz</li> <li>Interface: RS232</li> <li>Baud Rate: 115,200 bps</li> <li>Base to Base: RS485</li> <li>Maximum Bases/System: 16</li> <li>Maximum Terminals/Base: 99</li> <li>Maximum Terminals/System: 99</li> <li>Output Power: 100mW</li> <li>Coverage: 1,000M line-of-sight</li> </ul>

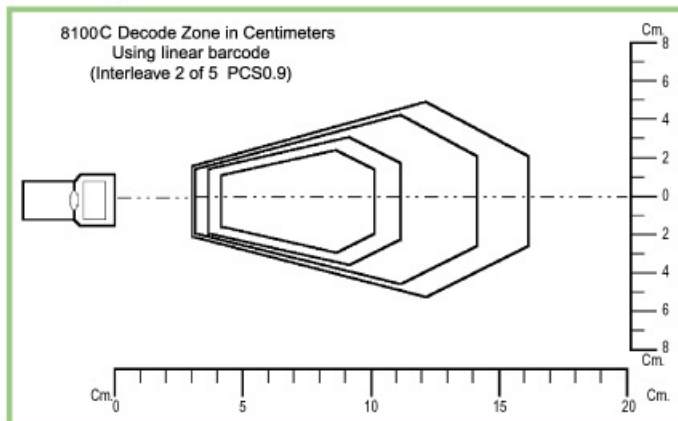
### SYSTEM

- Auto Roaming or Fixed Channel Selectable
- Single or Multi-channel Selectable
- Multiple Bases Supported
- Tuneable Power Output (from -5dBm to 10dBm)
- Can Be Connected to Ethernet Network (with CipherLAB 350)
- Can Be Connected to USB Port (with CipherLAB 306)

### Safety & Regulatory Approvals

- FCC class-A, CE, C-tick

### Reading Performance



### Power

Operation battery :	Two AAA size removable / rechargeable
Backup battery :	3.0V, 7.0mAh, rechargeable Lithium
Operating hour:	Over 20 hours (with Alkaline batteries)

### Dimensions

Size:	145mm (L) x 63mm (W) x 42mm (H)
Weight:	210g (including batteries)

### General Characteristics

CPU:	16-bit CMOS, low power consumption
Program memory:	1MB flash memory
Data memory:	256KB SRAM
Display:	128x64 graphic dots FSTN with LED back-lit
Keypad:	21 rubber keys

### Indicator

Buzzer:	Programmable, 1KHz to 4KHz
LED:	Dual-color, green and red

### Programming Language

"C", "BASIC", and a Windows-based Application Generator

### Laser Scanner (8100L)

Light source:	Visible Laser diode operating at $670 \pm 15\text{nm}$
Scan rate:	$36 \pm 3$ scans/sec
Scan angle:	$42^\circ \pm$ nominal
Depth of field:	5cm ~ 95cm, depends on barcode resolution

### CCD Scanner (8100C)

Resolution:	0.125mm (5mil) ~ 1.00mm (40mil)
Depth of field:	6cm ~ 13cm
Scan rate:	100 scans/sec

### Environmental

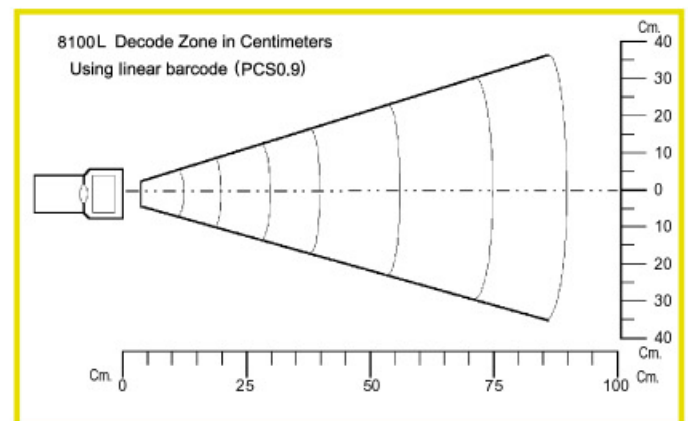
Operating Temperature:	-20 to $60^\circ\text{C}$
Storage Temperature:	-30 to $70^\circ\text{C}$
Humidity:	Non-condensed 5% to 95%
Shock resistance:	1.2m drops onto concrete

### Interface

RS-232:	Transmission speed up to 115.2k bps
---------	-------------------------------------

### Accessories

RS-232 cable, Cradle, RF base station, Battery Charger
Rechargeable Battery Pack



Headquarter  
**Syntech Information Co., Ltd.**  
 5F, No. 196-3, Ta-Tung Road  
 Sec. 3, Hsi-Chih  
 Taipei Hsien, Taiwan  
 TEL: +886 2 8647 3300  
 FAX: +886 2 8647 1155  
[www.cipherlab.com.tw](http://www.cipherlab.com.tw)

USA  
**Syntech West Inc.**  
 3404 57th Street NW Suite B  
 Gig Harbor, WA 98335  
 U.S.A.  
 TEL: +1 253 858 7906  
 FAX: +1 253 858 7713  
[www.cipherlab.com](http://www.cipherlab.com)